

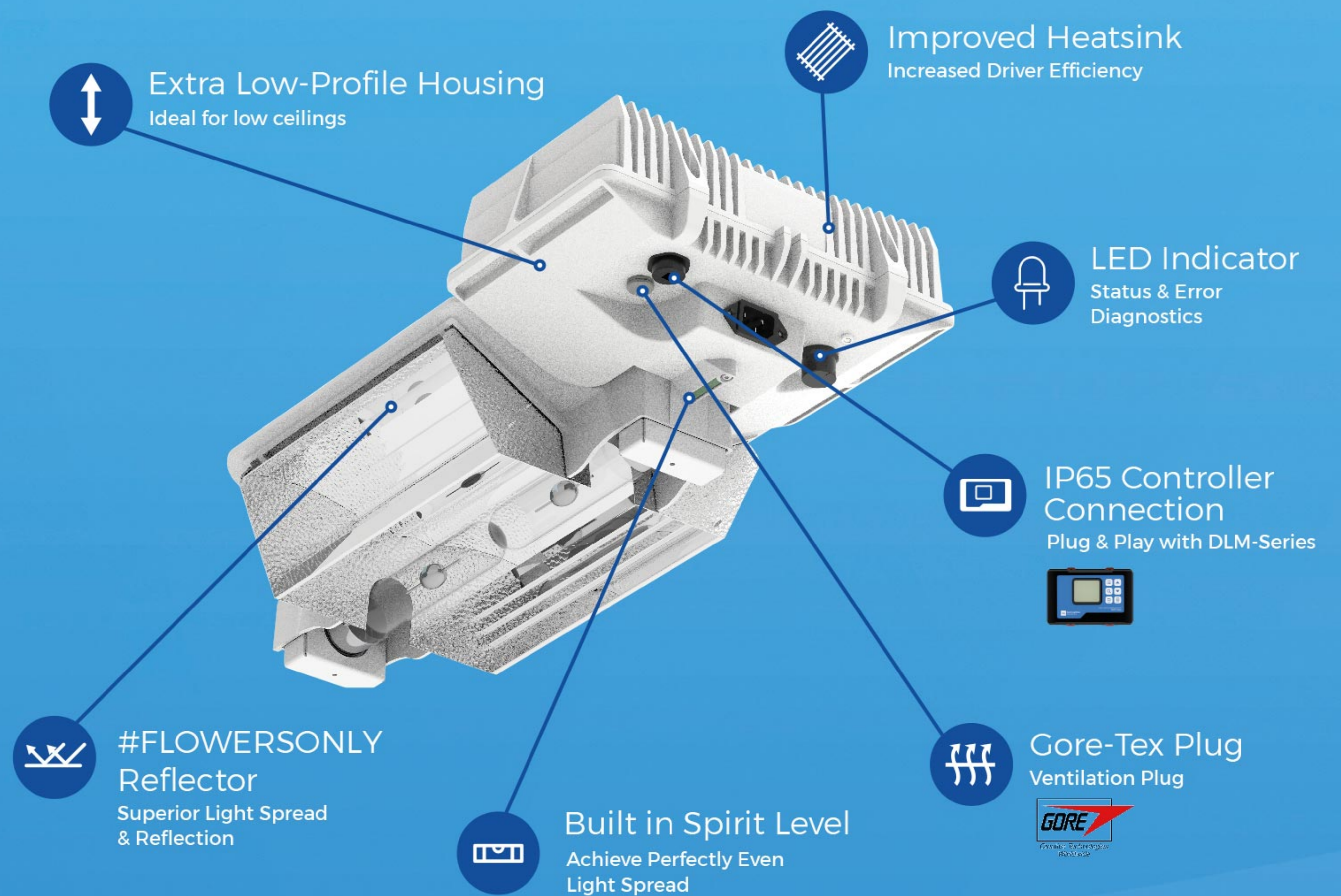


# DLI CRI-Series 630W CMH 120/240V Fixture



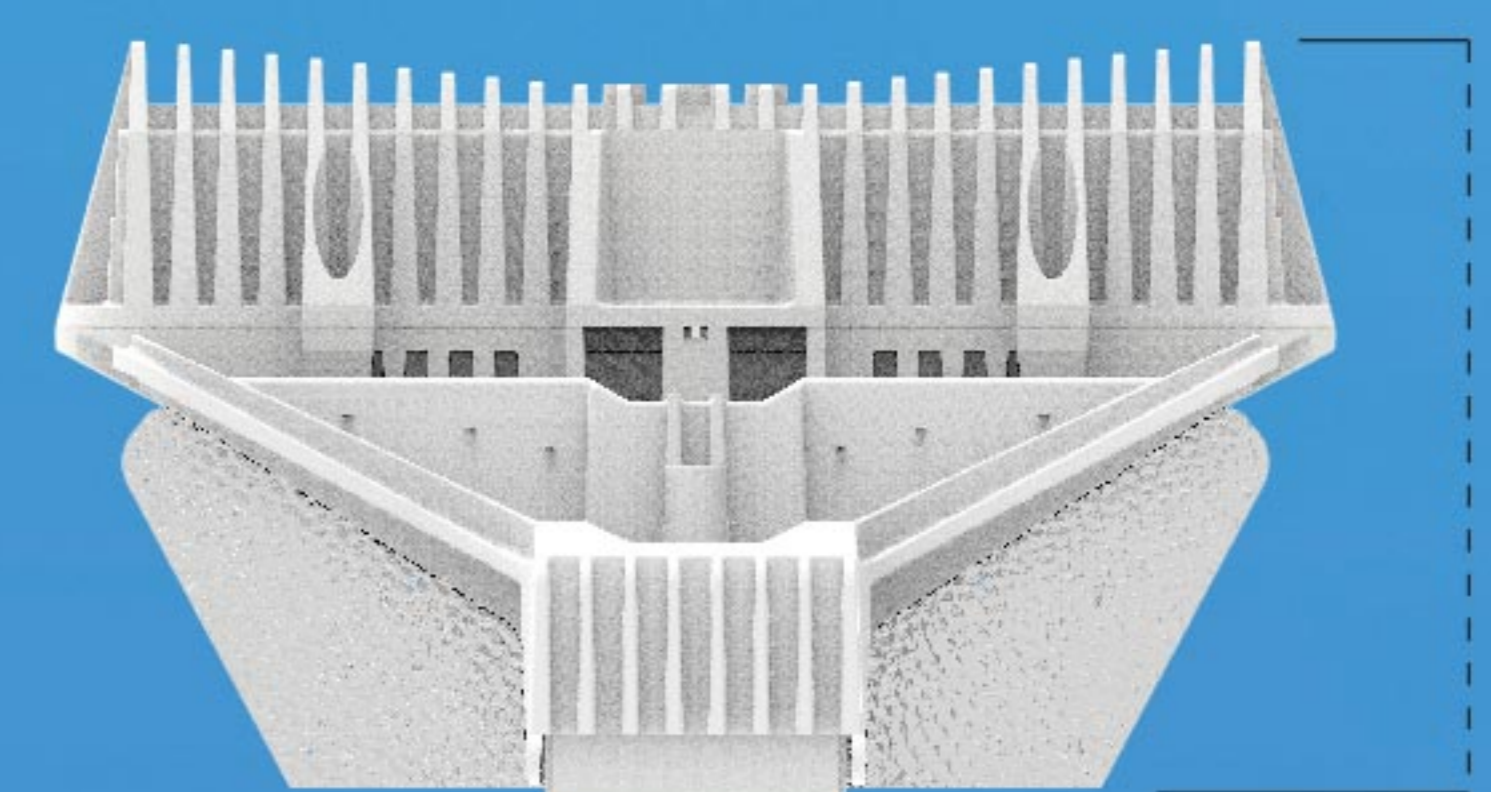
DLI's mission is to always create a fixture that surpasses the performance of the competitors whilst improving the design to suit the purpose. Dutch Lighting Innovations presents the CRI-Series 630W CMH Fixture. This proprietary engineered design has reset the bar for indoor production.

The #FLOWERSONLY Reflector is manufactured to have the highest possible total reflectance at all wavelengths giving excellent PAR rendition. Efficiency and uniformity are the main focus in the design of the #FLOWERSONLY Reflector. The unique design and the high uniformity of light results in less hotspots on the canopy and a more even plant growth. The DLI CRI-Series are Plug & Play with the DLM-4 Zone Controller. A RJ12 Connection Kit is included with each fixture.

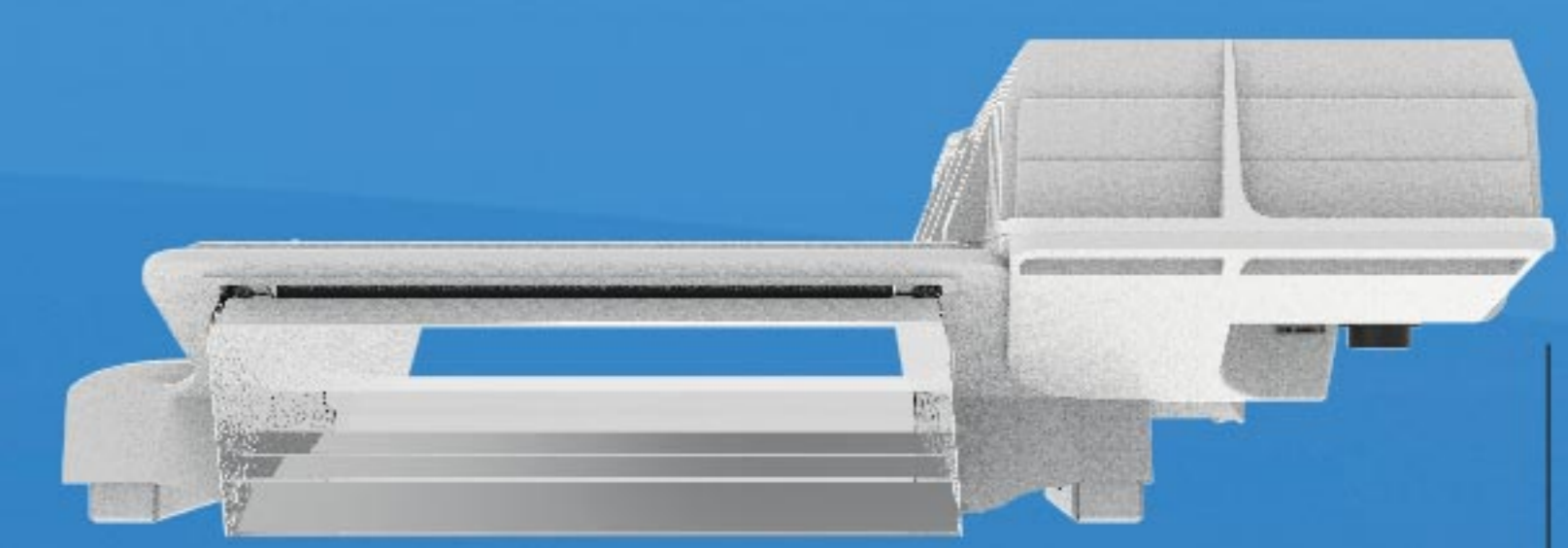


## Technical Specifications

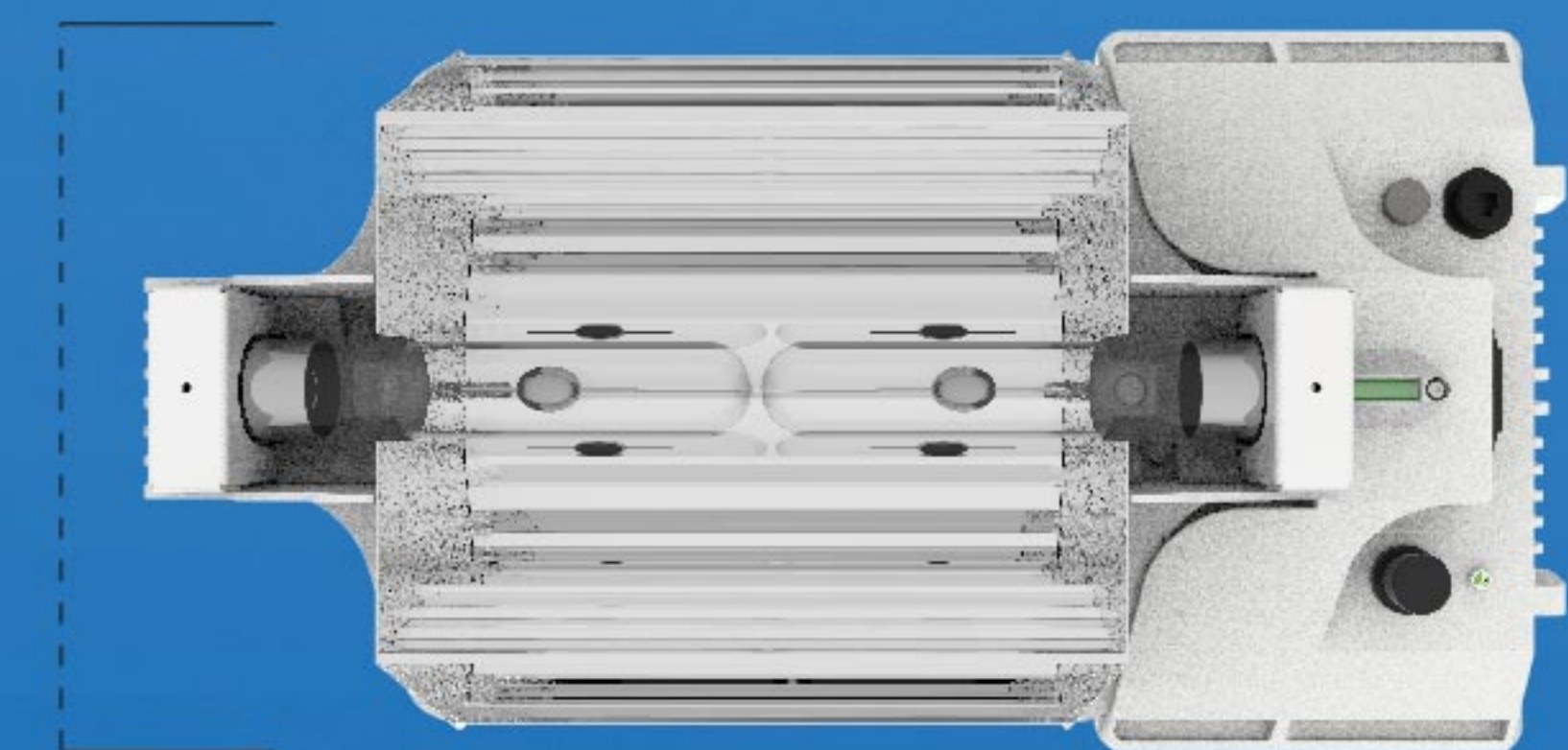
INPUT VOLTAGE:	120 - 240V
INPUT VOLTAGE RANGE:	± 10%
RATED POWER:	660W
DIMMING WITH SWITCH:	0W - 315W - 630W
DIMMING WITH CONTROLLER:	0W - 315W - 630W
FREQUENCY:	50/60 HZ
TYPICAL CURRENT:	2.8A@240V
MAXIMUM CURRENT:	6A@110V
INRUSH CURRENT:	≤ 40A
POWER FACTOR:	≥ 0.98
DIMENSIONS:	571 X 284 X 178 MM / 22.5 X 11.2 X 7.0 INCH
WEIGHT:	7.5 KG / 16.5 LBS



H 178MM / 7.0"



L 571MM / 22.5"



W 284MM / 11.2"

ALSO AVAILABLE FROM  
**DUTCH LIGHTING INNOVATIONS:**

DIODE-SERIES  
**INTERLIGHTING FIXTURE**

DLM-4 ZONE DAILY  
**LIGHTING MANAGEMENT**

DLI JOULE-SERIES  
**1000W DE FIXTURE**