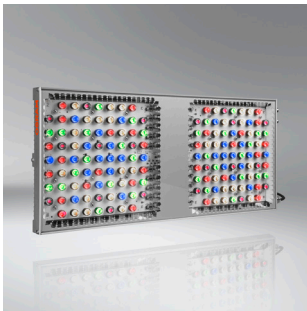


Light is OSRAM

## PHYTOFY<sup>®</sup> RL

Designed for the research and development of plant-specific light recipes.  
Independent control and scheduling of each LED color channel.



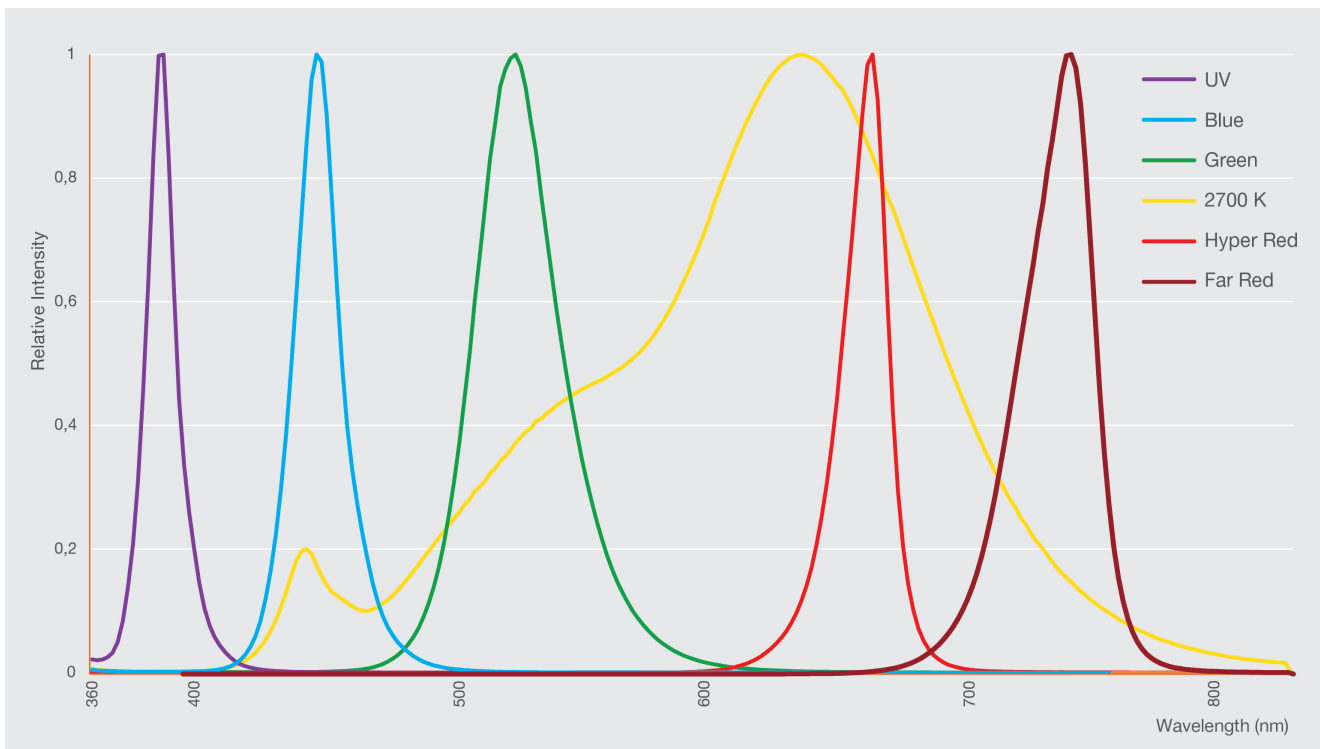
### Specifications

<b>Light Source</b>	LED
<b>Spectrum</b>	385 nm, 450 nm, 521 nm, 660 nm, 730 nm, 2700 K
<b>PPF in <math>\mu\text{mol s}^{-1}</math></b>	UV 53, Blue 252, Green 96, Hyper Red 245, Far Red 114, 2700 K 215
<b>PPFD in <math>\mu\text{mol m}^{-2} \text{s}^{-1}</math></b>	UV 50, Blue 250, Green 100, Hyper Red 250, Far Red 100, 2700 K 250
<b>Input Power</b>	Max 150 W
<b>Input Voltage</b>	Autosensing 100-240 V, 50/60 Hz
<b>Dimming</b>	PWM 10-100 %, individually per LED channel
<b>Networking</b>	Wired Ethernet or Wi-Fi, RS485 protocol
<b>Interface</b>	OSRAM User Interface
<b>Thermal Management</b>	Passive cooling
<b>Operating Temperature</b>	0 °C to + 35 °C
<b>IP Rating</b>	IP54
<b>Fixture Dimensions</b>	667 x 299 x 44 mm   26,2" x 11,8" x 1,7" (l x w x h)
<b>Fixture Weight</b>	8,9 kg   19,6 lbs
<b>Lifetime</b>	25.000hrs $L_{70}B_{50}$ <sup>2)</sup>
<b>Certification</b>	CE, UL

1) Specific for three-fixture system with center-center fixture spacing of 406 mm (16") and canopy 406 mm (16") below fixtures.

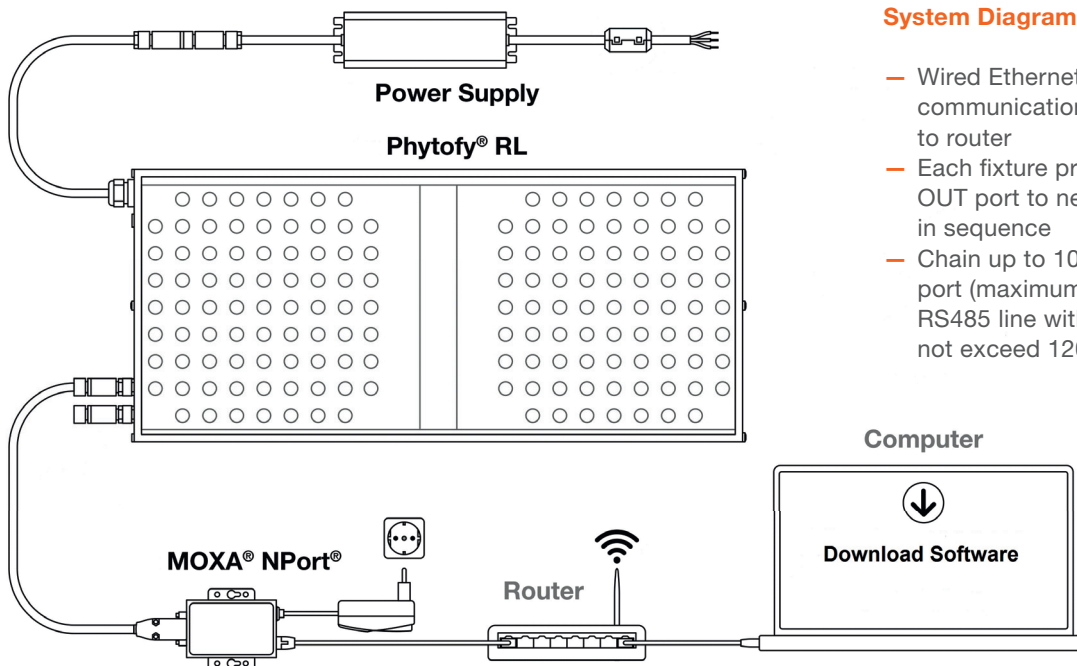
2)  $L_{70}B_{50}$  is taken to be the operating life during which the luminous flux is greater than or equal to 70 %, for 50 % of the population.

### Spectral Distribution



## System Features

- Tunable LED system with six different channels.
- The variable spectra can be used for far red end-of-day light, UV light supplementation, night-interruption, etc.
- Advanced software, designed with plant biologists, to schedule different light treatments throughout photoperiod and/or plant life-cycle.
- Precise irradiance map, calculated by the software – no quantum flux measurements required.
- Thin and robust form factor, ideal for growth chambers, racks and vertical farm operations.
- Perfect choice for developing light recipes, allowing growers and researchers to improve flavor, nutrition profile and overall production.

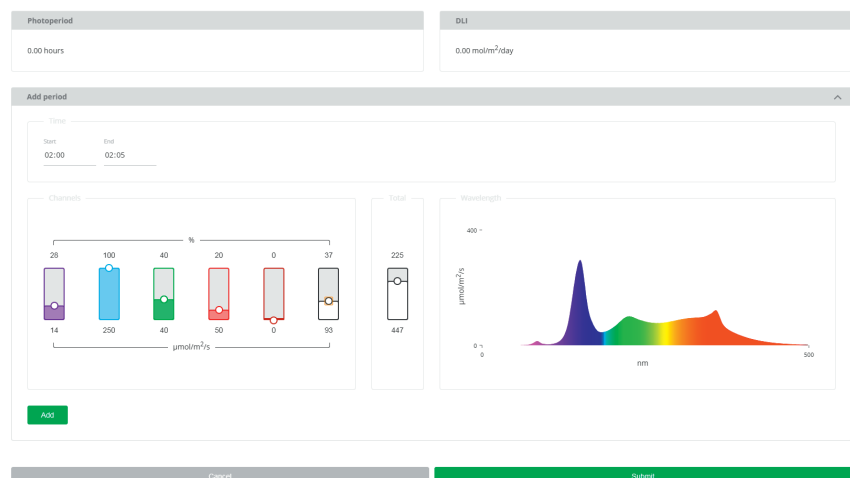


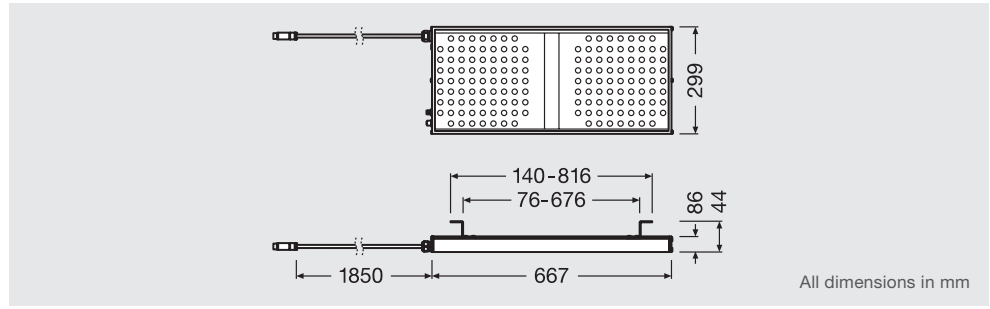
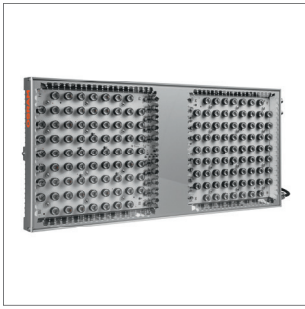
## System Diagram

- Wired Ethernet or WiFi communication from computer to router
- Each fixture provided with IN and OUT port to next fixture in sequence
- Chain up to 100 fixtures from one port (maximum total length for RS485 line with 1 Mb/s should not exceed 120 m (393') in total)

## User Interface

- Design a fixture layout in the software to match your system set-up.
- Create light recipes for a certain time of the day. For example, add far red at the end of the day, give a brief duration of UV light or interrupt nights by sliding bars or entering the desired PPFd values.
- Observe irradiance map to insure desired PPFd is being achieved throughout the research project.





**PHYTOFY® RL**

Family	Power Cord	End	Mounting	EAN
PHYTOFY® RL	3 m   9.8'	Open wire	Mounting bracket, power supply, slot stone, screws and washers, Ferrite core, signal cable (1m   3.3')	4062172040310
Moxa® NPort®	1 m   3.3'	EU CEE 7/7 NEMA 5-15 BS1363	End terminator, signal cable (5 m) End terminator, signal cable (16.4') End terminator, signal cable (16.4')	4062172038690 4062172038683 4062172058407
Signal Cable 3m / 9.8'	-	Circular M12		4062172065474
Signal Cable 5m / 16.4'	-	Circular M12		4062172065498

**Light recipes**

Are you interested in receiving light recipes for free?  
 Register your PHYTOFY® RL at [www.osram.com/phytofy](http://www.osram.com/phytofy) and download five light recipes for the most common plants and herbs.



In case you have questions concerning the product, please contact us at [horticulture@osram.com](mailto:horticulture@osram.com).

**OSRAM GmbH**

Head office:

Marcel-Breuer-Strasse 6  
 80807 Munich, Germany  
 Phone +49 89 6213-0  
 Fax +49 89 6213-2020  
[horticulture@osram.com](mailto:horticulture@osram.com)  
[www.osram.com](http://www.osram.com)



[www.osram/reach](http://www.osram/reach)

