



SPYDR 2i47 EU

The **SPYDR 2i** is a high-performance top-lighting solution for commercial horticulture cultivation. Designed for growers to push the envelope with high-PPFD cultivation practices. Not intended for beginner growers or grows without CO₂ supplementation.

FLUENCE
BY OSRAM

SPYDR 2i47 EU

FLUENCE
BY OSRAM

SPECIFICATIONS

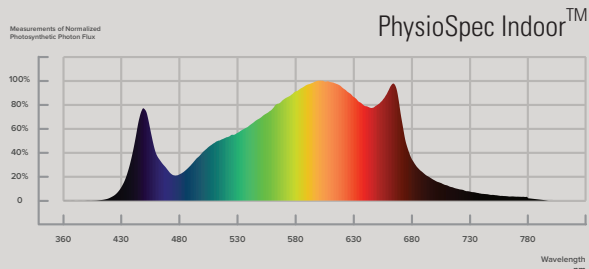
Light Source	LED
Spectrum	PhysioSpec Indoor™
Light Output PPF	1700 µmol/s
Efficacy	2.7 µmol/J @ 230V AC
AC Input Power	632W @ 230V AC
AC Input Voltage	120-277V AC, 347-480V AC, 50/60Hz
Light Distribution	120°
Mounting Height	6" - 12" (15.2-30.5cm) Above Canopy
Thermal Management	Passive
Max. Ambient Temperature	95°F / 35°C
Dimming	10 V-Source
Total Harmonic Distortion (THD)	< 10%
Lifetime	L90: > 50,000hrs
IP Rating	IP66
Certifications	CE, UL 8800, UL 1598 Wet Location, DLC
Warranty	5 Year Standard Warranty

NOMINAL ELECTRICAL AC INPUT*

AC VOLTAGE	120V	208V	230V	277V	347V	400V	480V
AC Current	5.42 A	3.05 A	2.75 A	2.27 A	1.87 A	1.62 A	1.34 A
AC Power	650 W	634 W	632 W	629 W	648 W	647 W	646 W
Power Factor	0.997	0.99	0.989	0.979	0.995	0.99	0.974

* At 77°F (25°C) ambient temperature

SPECTRA



FAMILY	MODEL	SPECTRUM	INPUT VOLTAGE	AC POWER CORD
SR	SPYDR 2i	2i 47"x43" I PhysioSpec Indoor™	2 120-277V 4 347-480V	06 6ft (1.83m) 15 15ft (4.57m)

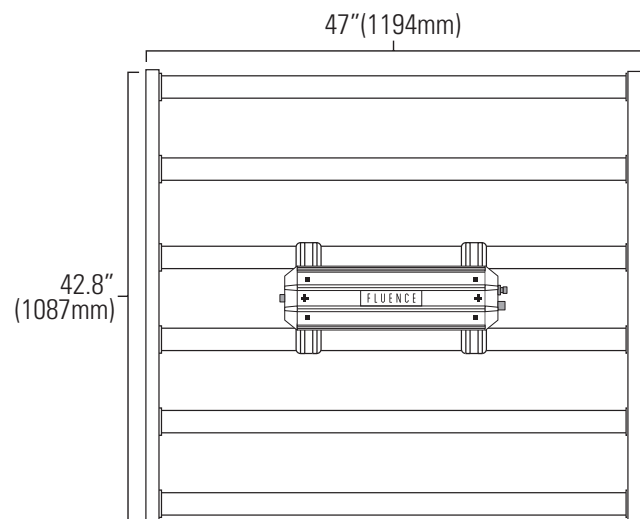
AC PLUG TYPE	DC EXT. CORD	MOUNTING HARDWARE	PACKAGING
TFP Schuko Type F	00 None	W Waterfall Mounts	S Single Pack
VPP VDE Pigtail	03 3 ft (.91m) 06 6 ft (1.83m)	S Solid-Decking Mounts M 2-Point Hanging Lances A Adjustable Hanging Kit L Long V Mounts	B15 Bulk Pack (15 QTY)

*Please contact sales for more mounting options

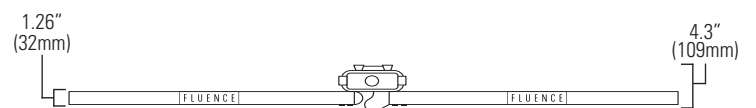
DIMENSIONS

Part	Length	Width	Height	Weight
SPYDR 2i 47" Light Fixture	47" / 1194mm	42.80" / 1087mm	1.26" / 32mm	16.7 lbs / 7.6 kg
PSE Power Supply 632W AC	21.87" / 555mm	6.24" / 159mm	2.88" / 73mm	11.0 lbs / 5.0 kg

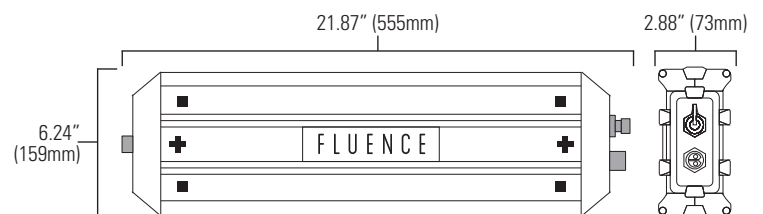
[TOP VIEW]



[SIDE VIEW]



[PSE POWER SUPPLY]



Contact **FLUENCE**
info@fluencebioengineering.com
www.fluence.science/SPYDR

© Copyright 2020 Fluence Bioengineering 2020-02
 Subject to change without notice, Tolerance ±10%
 Horticultural lighting | Not suitable for household illumination.