



SPYDR 2x47

SPYDR 2x is an early-development stage top-lighting solution for commercial horticulture cultivation, or a full-cycle top-lighting solution for home hobbyists cultivating without CO₂ supplementation at ambient conditions around 400 ppm.

FLUENCE

BY OSRAM

SPECIFICATIONS

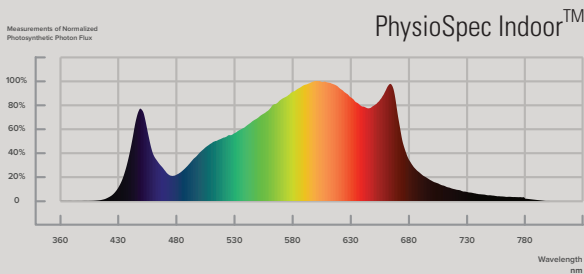
Light Source	LED
Spectrum	PhysioSpec Indoor™
Light Output PPF	860 μmol/s
Efficacy	2.51 μmol/J @ 277 AC
AC Input Power	342W @ 277V AC
AC Input Voltage	120-277V AC, 347-480V AC, 50/60Hz
Light Distribution	120°
Mounting Height	6" - 12" (15.2-30.5cm) Above Canopy
Thermal Management	Passive
Max. Ambient Temperature	95°F / 35°C
Dimming	10 V-Source
Total Harmonic Distortion (THD)	< 20%
Lifetime	L90: > 50,000hrs
IP Rating	IP66
Certifications	CE, UL 8800, UL 1598 Wet Location, DLC
Warranty	5 Year Standard Warranty

NOMINAL ELECTRICAL AC INPUT*

AC VOLTAGE	120V	208V	230V	277V	347V	400V	480V
AC Current	2.98 A	1.68 A	1.51 A	1.23 A	0.99 A	0.86 A	0.71 A
AC Power	357 W	350 W	348 W	342 W	344 W	343 W	342 W
Power Factor	0.9965	0.985	0.975	0.96	0.98	0.976	0.96

* At 77°F (25°C) ambient temperature

SPECTRA



FAMILY	MODEL	SPECTRUM	INPUT VOLTAGE	AC POWER CORD
SR	SPYDR 2x	2x 47"x43" I PhysioSpec Indoor™	1 120-277V 3 347V 4 400V 5 480V	06 6ft (1.83m) 15 15ft (4.57m)

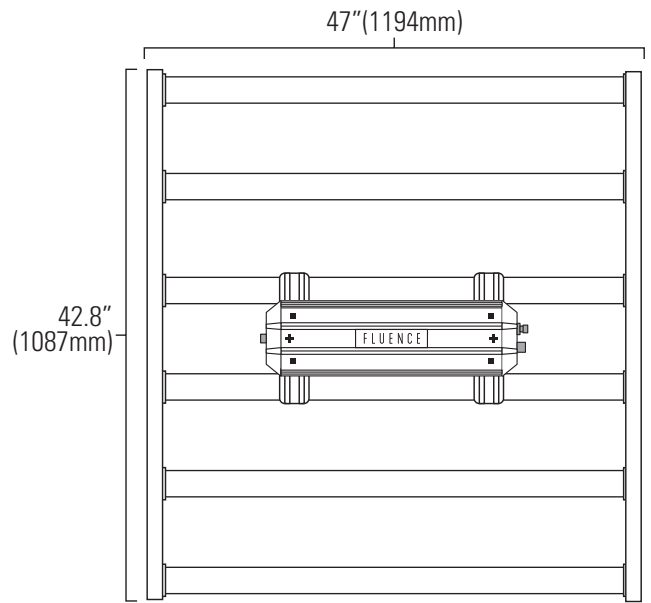
AC PLUG TYPE	DC EXT. CORD	MOUNTING HARDWARE	PACKAGING
N5P NEMA 5-15p	00 None	W Waterfall Mounts	S Single Pack
N6P NEMA 6-15P	03 3 ft (.91m)	S Solid-Decking Mounts	B15 Bulk Pack (15 QTY)
L7P NEMA L7-15P	06 6 ft (1.83m)	M 2-Point Hanging Lances	
PTP Pigtailed		A Adjustable Hanging Kit	
TFP Schuko Type F		L Long V Mounts	
VPP VDE Pigtail			

*Please contact sales for more mounting options

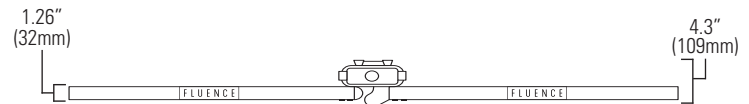
DIMENSIONS

Part	Length	Width	Height	Weight
SPYDR 2x 47" Light Fixture	47" / 1194mm	42.80" / 1087mm	1.26" / 32mm	16.7 lbs / 7.6 kg
PSE Power Supply 342W AC	21.87" / 555mm	6.24" / 159mm	2.88" / 73mm	8.2 lbs / 3.7 kg

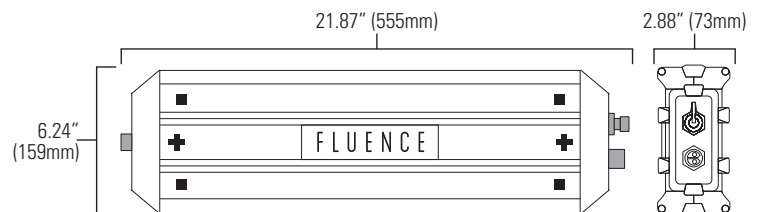
[TOP VIEW]



[SIDE VIEW]



[PSE POWER SUPPLY]



Contact **FLUENCE**

info@fluencebioengineering.com

www.fluence.science/SPYDR

© Copyright 2020 Fluence Bioengineering 2020-02

Subject to change without notice, Tolerance ±10%

Horticultural lighting | Not suitable for household illumination.