



HELLION® DE ILLUMINATION KIT



SETUP INSTRUCTIONS (Large Wings)

Unpack and check that you have all the below listed items with your Hellion® Combo.

- Hellion® DE Ballast, Hanging Bracket & Power Input Cable
- 2 x Adjust-A-Wings Reflector Sheets
- Hellion® DE Lamp
- Hellion® DE Lamp Adaptor
- Hellion® Reflector Connector
- DE-LCK Kit in bag containing : 4 Screws, 4 Knurled Nuts, 4 Nylon Washers and detailed Instructions
- Hellion® DE Super-Spreader
- 1 x IEC Extension Cable
- 2 x Reflector Hanging Brackets
- 6 x Knurled Thumb Screws
- 2 x Reflector Adjustment Wires

STEP 1 Connect Wings



Connect Wings by aligning button rivets with the keyhole slots. Slide to lock in place.

* Align button rivets with longer keyholes before sliding.

STEP 2 Attach Hanging Brackets



Place the Hanging Brackets against the top of the Wings and attach using the thumb screws provided.

STEP 3 Attach DE Adaptor



Attach the DE Lamp Adaptor by following detailed instructions located within the DE-LCK Kit/bag.

Ensure the Nylon washers are placed BETWEEN the Wing and Adaptor!

STEP 4 Insert Wire



Take one Adjustment wire and thread the end (with one stopper attached) through the first keyhole, then thread it back through one of the other keyholes (as shown).

This action locates the wire and presets the reflectors width.

STEP 5 Form Wing Shape



While holding the opposite end of the Adjustment Wire (end with 2 stoppers attached) carefully flex the wings into shape and lock the End stopper into the single keyhole provided.

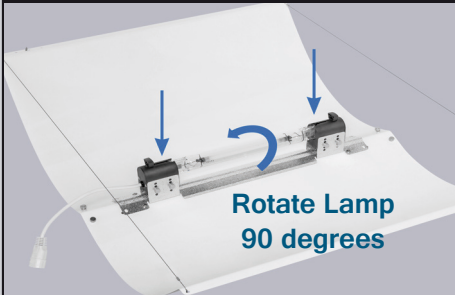
Repeat steps 3 & 4 at the other end.

STEP 6 Reflector Completed



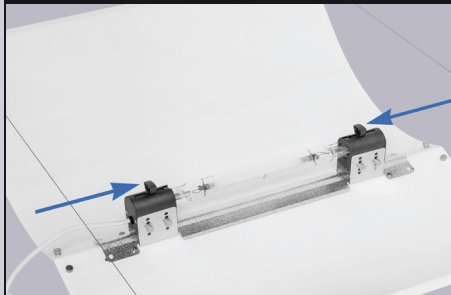
You have now completed the "Reflector Setup" and your Adjust-A-Wings Hellion® DE should look like this.

STEP 7 Insert Lamp



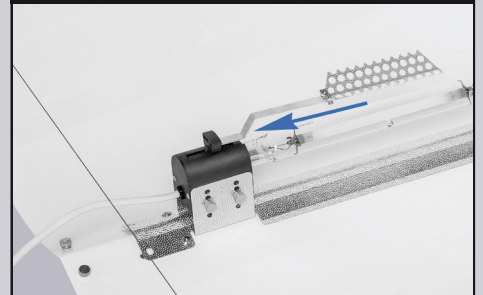
- Slide DE Lamp into verticle slots at each end of the Lamp Adaptor, making sure the power wires at each end remain perfectly straight.
- Secure lamp by rotating 90 degrees in the direction shown.

STEP 8 Secure Lamp



- Ensure the Lamp has been Rotated**
- Slide both Switches firmly inwards to lock lamp in place and engage power.
- * Switches will not engage/lock if Lamp is not Rotated.

STEP 9a Attach Spreader

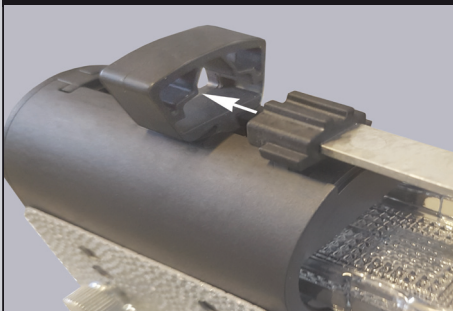


- Install DE Super-Spreader by inserting the appropriate end into matching slot in switch head, as shown in the next Step.

- * When Inserting the Lamp, the Lamp ends will be in a vertical position. After Rotating the Lamp, the Lamp ends should be in a horizontal position.

* Watch our DE Lamp Installation video on www.adjustawings.com

STEP 9b



The Spreader Arm slots into the switch head in the direction shown.

THE CHOICE IS NOW YOURS!

At this stage of the assembly you now have the choice to complete the setup of your Hellion DE as :

A) The Hellion DE REMOTE BALLAST Setup

OR

B) The Hellion DE ONBOARD BALLAST Setup

A) HELLION® DE REMOTE BALLAST SETUP

STEP A1



This picture shows how power cabling should be connected.

Always connect or disconnect cables with power switched off !!

B) HELLION® DE ONBOARD BALLAST SETUP

STEP B1 Attach Bracket



Lay the ballast flat and attach the hanging bracket into the holes on either side of the ballast casing.

Note: Bracket is attached at power input end of ballast.

STEP B2

Attach Reflector Connector



Using the 2 thumb screws, attach the Reflector Connector to the ballast as shown above.

Once complete, the unit should resemble the picture on the right.



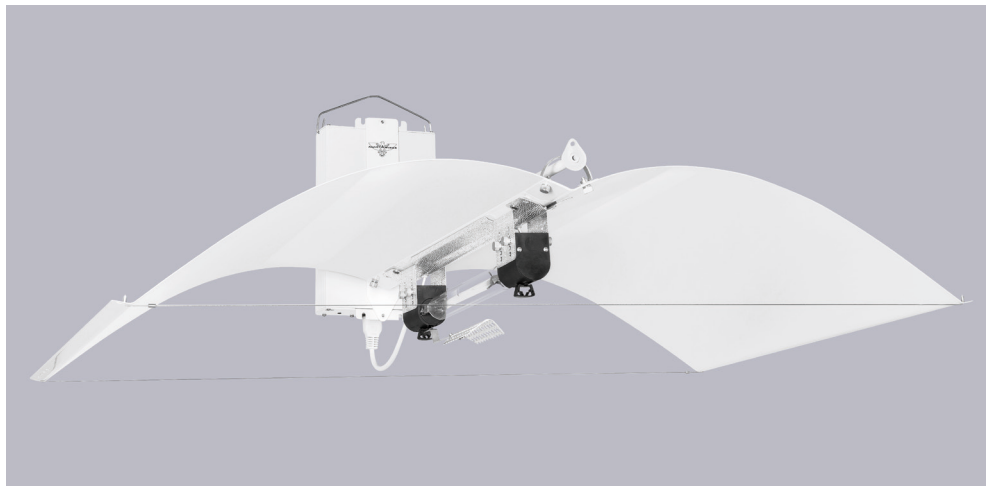
STEP B3

Slide Reflector onto the the Reflector Connector

Hang the assembled unit (Ballast and Reflector Connector) using the attached hanging bracket.

Slide the Reflector Connector Rod through the hanging brackets on the Adjust-A-Wings DE Reflector until they sit in the retaining slots.

Plug the short power cable from the reflector firmly into the ballast. Insert the mains power cable into the ballast, and you are ready to go.!



ADJUSTING YOUR SYSTEM

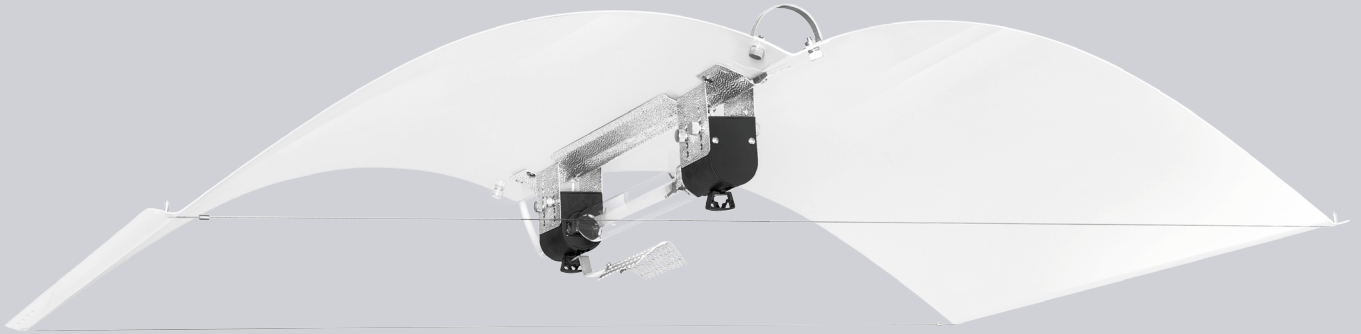
Wide Wing settings produce broad, even light patterns for maximum area coverage and deep foliage penetration.

Narrow Wing settings produce uniform concentrated light patterns for use at greater distances above plants.

Vertical adjustments to the DE Lamp Adaptor provide a method for fine focus / footprint evenness correction.

SAFETY WARNING!

Always turn off and disconnect power before making adjustments or changing lamps.
Turn on power to ballast Only after ALL cables and plugs are properly secured in place.



INNOVATION, NOT IMITATION

