










# Gavita Pro 630° SE US 208-240 CMH

## 1 Introduction

Thank you for purchasing the Gavita Pro 630° SE US 208-240 CMH. This manual describes the mounting and installing of the product and also describes how to use the product. Please read and understand this manual completely before using the product. Only use the product as specified in this manual.

### 1.1 Used Symbols

- 
**Warning!** A warning indicates severe damage to the user and/or product may occur when a procedure is not carried out as described.
- 
**Caution!** A caution sign indicates problems may occur if a procedure is not carried out as described. It may also serve as a reminder to the user.
- 
**Note:** A note gives additional information, e.g. for a procedure.
- 
 This symbol indicates that the reflector and lamp can reach very high temperatures (>85 °Celsius / >185 °Fahrenheit). Observe a cool down period before performing maintenance.
- 
 This symbol is an internationally recognized symbol used to designate recyclable materials.
- 
 This symbol is a certification mark employed on electronic products manufactured or sold in the United States which certifies that the electromagnetic interference from the device is under limits approved by the Federal Communications Commission.
- 
 This symbol shows that a product has been independently tested and certified to meet recognized standards for safety.
- 
 The symbol on the material, accessories or packaging indicates that this product may not be discarded as household waste. By disposing of the equipment in the proper way, you will be helping to prevent possible risks to the environment and public health, which might otherwise be caused by improper handling of the discarded equipment. Recycling of materials contributes to the conservation of natural resources. Therefore, please do not dispose of your old electronics and electrical appliances via household waste.
- 
 This symbol indicates the minimum distance (B) between the fixture (A) and the lit surface.

## 2 Product description

The Gavita Pro 630° SE US 208-240 CMH is an adjustable horticultural fixture. The Gavita Pro 630° SE US 208-240 CMH can be used to drive two single ended 315W metal halide lamps.

The Gavita Pro 630° SE US 208-240 CMH is an e-series product. It can be remotely switched by a Gavita Master controller. The controller can automatically switch the fixture on and off during a 24 hour cycle.

The controller also offers a temperature safety feature: auto-switching off connected fixtures when the temperature in a climate room becomes too high.

The product can also be controlled by conventional timers in combination with a contactor. Make sure the dummy RJ plug sits in the IN port. If not, the fixture will not operate.

In this manual, the Gavita Pro 630° SE US 208-240 CMH will be referred to as: "the fixture".

### 3 Product information and specifications

#### 3.1 General product information

Product name	Pro 630° SE US 208-240 CMH	
Manufacturer	Gavita International bv	
Lamp type	CMH-TP 315 930	CMH-TP 315 942
EAN Code	8718403052909	8718403052910
Part number	HGC906935	HGC906936
Plug type	Nema 6-15	

#### 3.2 Technical specifications

Product weight	11.9 lbs (5,4 kg)	
Dimensions (L*W*H)	22.3x9.3x10,55 in. (56,6x23,7x26,8 cm) (height excl. mounting hooks)	
Temperature case	< 70 °Celsius / 158 °Fahrenheit	
Temperature ambient	0 ~ 35 °Celsius / 32 ~ 95 °Fahrenheit	
Input voltage +/-10%	208 V AC	240 V AC
Input current at 100%	3.2 A	2.8 A
Max current	4.0 A	
Power output settings	315 W (one lamp at a time, alternating)	630 W (two lamps simultaneously)
Input power at 100%	335 W	670 W
Apparent power +/- 3%	342 VA	684 VA
Power factor	> 0.98	
Relative humidity	< 70% (not condensating)	
Total Harmonic Distortion	< 10%	
Frequency	50/60 Hz	
Certification	c CSA us	
Insulation	Class 1 - requires an earth connection	
Power inlet	IEC C14	
External control signal:	RJ connector built in (6P6C)	
Inrush current:	≤ 40 Amps	
Inrush duration:	1,6ms	
Earth leakage current:	≤ 1 mA	

#### 3.3 Compatible products and accessories

	Product name	Gavita part number
Compatible controllers	Gavita EL1 Master controller	HGC906120
	Gavita EL2 Master controller	HGC906121
Replacement reflector	Gavita MW132 SE CMH 630	HGC906161
Compatible lamps (U0 rated)	Philips Master Color CMH-TP 315 930/U/O	LP8325151
	Philips Master Color CMH-TP 315 942/U/O	LP8325251
Compatible power cord	Power cord US 240 V, 2.5 meter / 8.2 ft	PC6824216
Compatible interconnect cable	Interconnect cable RJ 5.0 meter / 16 ft	CB6633621
	Repeater bus connection kit	HGC906170

### 3.4 Environment

The product is intended to be used in greenhouses and climate rooms. The product can be used in damp environments. The product may not be used in wet environments or outdoors. The lamps function optimally when the ambient temperature is between 20 ~ 30°C / 68 ~ 86° Fahrenheit.

### 3.5 Legal

This device complies with Part 18 of the FCC Rules.  
CSA approved [252952].

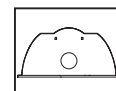
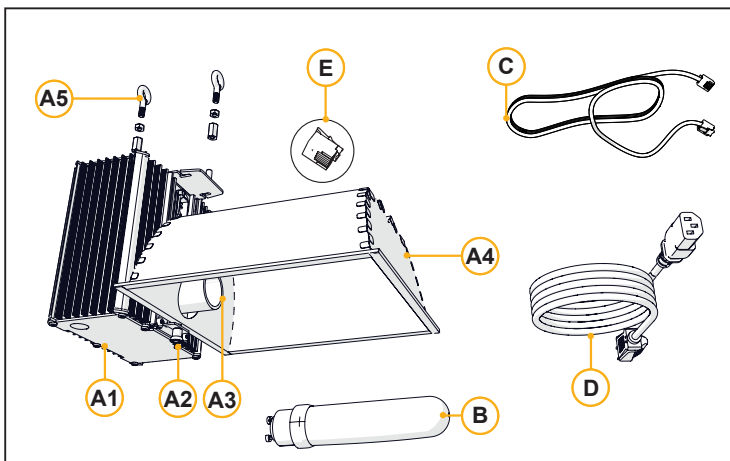
## 4 Safety recommendations and warnings

**⚠ Warning!** Carefully read the warnings below before using or working with the product!

- Always adhere to the local rules and regulations when installing or using the fixture.
- Do not open or disassemble the fixture, it contains no servicable parts inside. Opening the fixture can be dangerous and will void the warranty.
- This product may cause interference to radio equipment and should not be installed near maritime safety communications equipment or other critical navigation or communication equipment operating between 0.45 - 30 MHz.
- Do not use the fixture when either its lamp or its power cord are damaged. Replace the power cord only with original certified cords. Replace the lamp only with lamps specified by Gavita (see paragraph 3.3).
- The use of other lamps may damage the product and lamp and will void the warranty. Always use an U0 rated lamp.
- Modifications to the cords can lead to unwanted electromagnetic effects, which makes the product not comply with legal requirements.
- Do not expose the fixture to:
  - condensing humidity, heavy mist, fog or direct spray;
  - (ambient) temperatures outside the specified range;
  - dust and contamination;
  - direct sunlight during use or HID light that could heat up the ballast.
- Always disconnect the fixture from mains before performing any maintenance.
- Always allow for a cool down period of at least 30 minutes before touching the lamp or reflector. Touching the lamp or the reflector when the lamp is lit or immediately afterwards will result in severe burns!
- Never touch the lamp with bare hands as this will cause damage to the lamp.
- Do not use the fixture near flammable, explosive or reactive substances. The lamp and the reflector of the fixture reach temperatures of >85 °Celsius / 185 °Fahrenheit.
- Do not use sulfur vaporizers or water misters. Sulfur and calcium deposits on your reflector will decrease its efficiency.
- The installation and use of the fixture is the responsibility of the end user. Incorrect use or installation can lead to failure and damage to the fixture. Damage to the fixture and electronic circuitry as a result of incorrect installation and use revokes the warranty.

## 5 Contents (1)

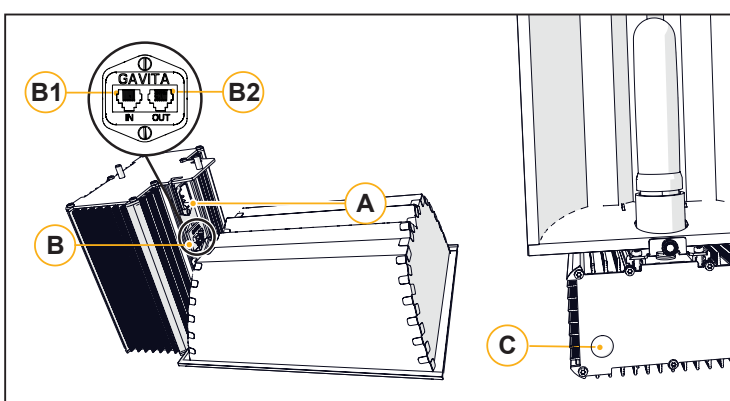
- A. Pro 630° SE US 208-240 CMH fixture
1. Electronic ballast
  2. Lever to unlatch reflector
  3. Lamp socket
  4. Reflector Gavita MW132 SE CMH 630
  5. Mounting points
- B. Philips Master Color CMH-TP 315 (2x)\*
- C. Interconnect cable (RJ/RJ )  
Cable length: 2.5 m / 8 ft
- D. Power cord with NEMA 6-15 plug
- E. Dummy
- \* Delivered separately.



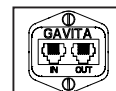
Gavita  
MW132 SE  
CMH 630

## 6 Controls, connections and indications (2)

- A. IEC C14 connection
- B. Gavita 2xRJ connector
1. RJ IN
  2. RJ OUT
- C. Status LED



NEMA  
6-15



Gavita 2xRJ

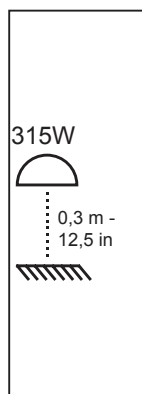
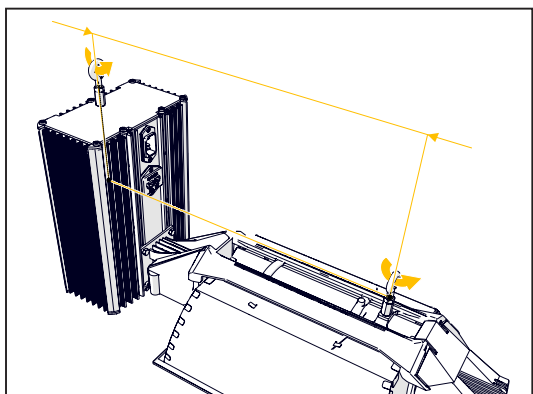
## 7 Installation

2.

- ⚠ Warning! Avoid coiled cords. Coiled cords may lead to electromagnetic interference.
- ⚠ Warning! Always install the lamp before connecting the fixture to the mains.
- ⚠ Warning! When connecting the fixture to the controller it may ignite. Make sure either power is disconnected or the controller is switched off.
- ⚠ Warning! Ensure the local cabling can support the voltage and current requirements of the fixture.

### 7.1 Preparing the fixture for use

- Switch off mains power.
- Install the lamps in the fixture (see paragraph 10.1).
- Hang the lamp by its two mounting points (3). The mountings point are spaced 398 mm / 16 inches apart.



3.

4.

### 7.2 Repeater bus connection kit (optional)

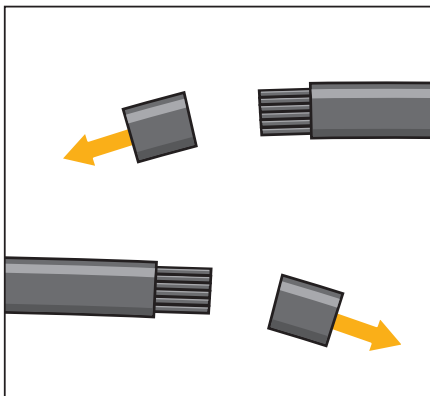
The repeater bus connection kit contains the following items:

1. 2 x EMC ferrite snap-on black bag (13x12x5x25.5x2.4)
2. 4 x Gavita splitter 1 to 2 6P6C grey RJ25 (in bag)
3. 8 x grey modular jack interconnect cable 6P6C RJ25 (in bag)
4. 8 x SNAP-ON ferrite grey (in bag)
5. Interconnect cable 6p 82 ft (25mtr) grey (in bag)

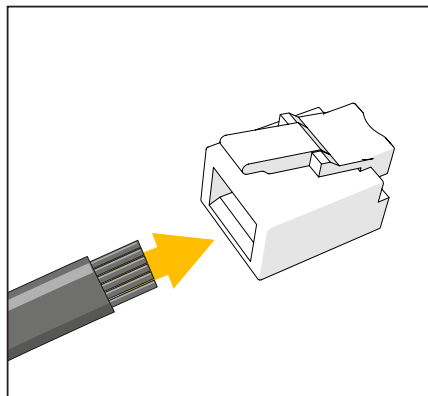
### 7.3 Preparation for use with a controller

Using a daisy chain setup, a maximum of 100 fixtures can be connected to one controller. Up to 500 fixtures per daisy chain can be connected when using splitters. See section 7.4 and 7.5 of this manual and the manual of the controller.

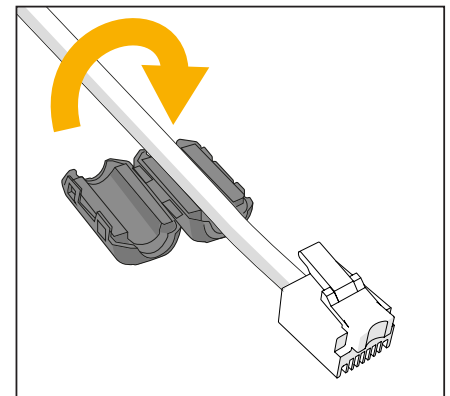
- Take the unstripped black interconnect cable.
- Cut the cable (supplied with controller) to the desired length and strip both ends using a crimp tool (5).
- Insert the cable end in the RJ14 connectors (6) and use the crimp tool to finish the assembly.
- Mount ferrite cores (item 1. mentioned in paragraph 7.2) to both cable ends close to the RJ14 connectors (7).



5.



6.

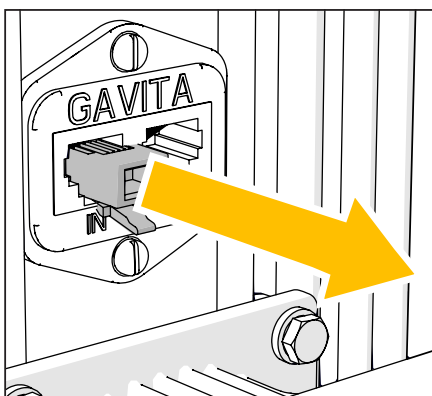


7.

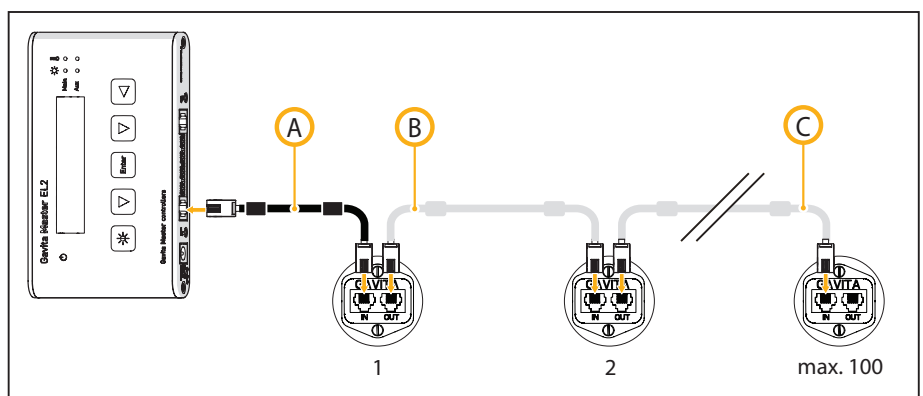
### 7.4 Connecting up to 100 fixtures

- Remove the dummy from the input port on the first fixture (8).
- **Note: Keep the dummy in a safe place!** The dummy is necessary to operate the fixture in standalone mode.
- Use the black controller cable (item is supplied with controller) to connect the controller input port on the first fixture (9A).
- Remove the dummy from the input port on the second fixture.
- Use a grey 6PC6 modular jack interconnect cable (item 3.) with integrated ferrite cores to connect the output port of the first fixture to the input port of the second fixture (9B). The indicator light will blink when the connection is successful.
- Repeat these steps to connect up to 100 fixtures (9C).

**Warning!** Ensure the power cord and the controller cables do not touch any of the reflectors.



8.



9.

## 7.5 Connecting up to 500 or 1000 fixtures

Using a setup with daisy chained splitters, up to 500 fixtures on EL1 and 1000 fixtures on EL2 (over two channels) can be connected as shown in fig. 10.

- Use the black controller cable (item comes with the controller) to connect the primary channel of the controller to the input port of the first splitter (10A).
- Remove the dummy from the input port of the fixtures (8).
- **Note: Keep the dummy in a safe place!** The dummy is necessary to operate the fixture in standalone mode.
- Use a grey 6PC6 modular jack interconnect cable (item 3.) to connect the output port of the splitter to the input port of the first fixture (10C).
- Use a grey 6PC6 modular jack interconnect cable (item 3.) to connect the output port of the first fixture to the input port of the second (10D).
- Repeat these steps to connect up to 100 fixtures per splitter output port (10E). Up to 500 fixtures can be connected to the primary channel.
- Snap-on two grey ferrite cores (item 4.) on the grey interconnect cable (item 3.) close to the 6P6C plugs.
- Use the grey 6PC6 modular jack interconnect cables (item 3.) to connect the output of a splitter to the input of the next (10B).
- Use the black secondary channel (item comes with controller) (10G) to connect another 500 fixtures, in the same way the fixtures are connected to the primary channel.

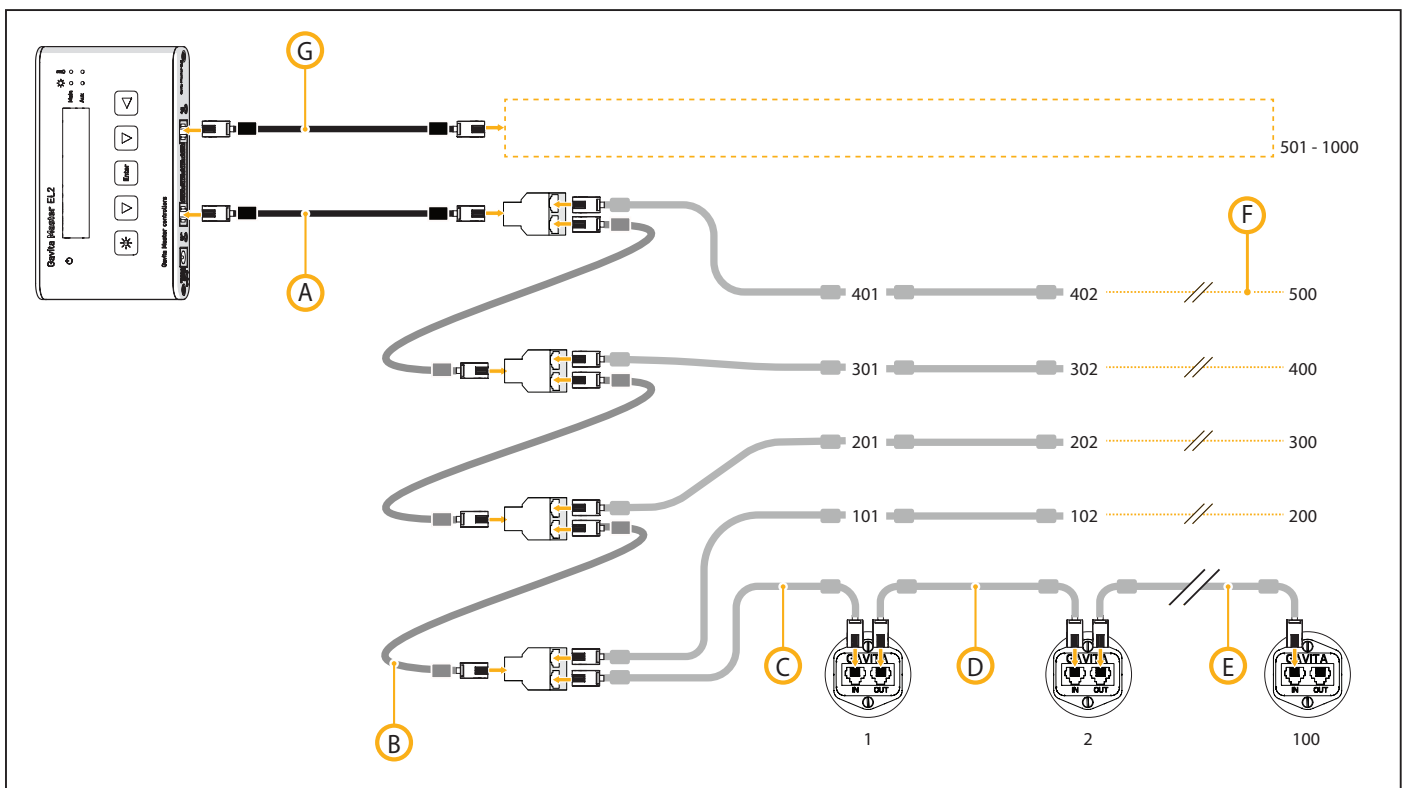
**Warning!** Ensure the power cord and the controller cables do not touch any of the reflectors.

**Warning!** Distribute number of fixtures evenly over daisy chains.

**Warning!** Ensure the repeater bus connections are integrated in a correctly set up installation for best results.

**Warning!** Boosters should never be used to expand.

**Warning!** The maximum cable length per splitter is 250m (100 interconnect cables).



## 7.6 Connecting the fixture to the mains

- ⚠ **Warning!** Ensure the cord is not coiled and does not touch any hot surfaces.
- ⚠ **Warning!** If external switching gear is used to switch the fixture, ensure it can cope with the inrush current of the fixture (see paragraph 3.2). Always use a double pole contactor suitable of switching a capacitive load. Never use household timers to switch the fixture!
  - If a controller is used, ensure the controller is connected to the fixture.
  - Plug the power cord into the mains.
  - Switch on mains power.

## 8 Product use

- ⚠ **Warning!** Never use the fixture without a lamp or reflector!
- ⚠ **Warning!** Observe a cool down period of at least 20 minutes before restarting. Doing otherwise will damage your lamp.
- ⚠ **Caution!** Before first use, run both lamps for at least 100 hours to stabilize them. Failing to do so may lead to sub-optimal light levels and premature end of life failure of your lamps.

### 8.1 Using the controller to adjust the output of the lamp

The output of the lamp is switched by a controller.

- To run two lamps simultaneously, set the controller to an output level of 55% or more.
- To run one lamp at a time\*, set the controller to an output level between 0 and 55%.
- To switch the lamp off, set the controller to an output level of 0%.

\* The fixture switches on one lamp at a time, alternating between both lamps to ensure even burn times.

## 9 Troubleshooting using the status LED

The multi colour status LED provides information on the condition of the controller and the lamp. Consult table 1 and 2 to interpret the status LED. LED signals are represented by colored dots.

- All operating modes include GREEN;
- All warning codes include RED;
- All history codes (except the ignition code) include ORANGE;
- WARNINGS and history codes overrule operating mode display.

### 9.1 Status indications

Status LED message	Status fixture	Description	Action / Solution
	No power / off	The fixture is not connected to the mains or the power is off	Check power
	Ballast stand-by	Fixture is connected to the mains and to a controller. Output of ballast is off	
	Ballast on	Fixture is connected to the mains and to a controller. Output of ballast is on	
	Fixture is igniting the lamp	Fixture is trying to restart the lamp	No action required. When lamp doesn't start: Lamp too hot, defect or not properly connected (remote). Disconnect, check power cord and connections

Table 1

### 9.2 Error or warning indications

Status LED message	Status fixture	Description	Action / Solution
	Too low voltage	Input voltage is too low	Check mains voltage
	Too low voltage occurred in past		See above, reset
	Too high voltage	Input voltage is too high	Check input voltage, check wiring and connection, check neutral in 3 phase systems
	Too high voltage occurred in past		See above, reset
	Too high temperature	Electronics temperature is too high (max. 115 °Celsius / 239 °Fahrenheit)	Disconnect from mains. Check installation, clean ballast, check environment temperature (max 35 °Celsius / 95 °Fahrenheit). Make sure fixture is not heated by HPS lamp light. Wait until the lamp is cooled down, then reconnect to mains
	Too high temperature occurred in past		See above, reset
	No signal from controller	Fixture is connected to the mains and set to EXT but there is no signal on the control input.	If a controller is connected, search for loose connections, defect contacts or short-circuits.

Table 2



## 10 Inspection, maintenance and repair

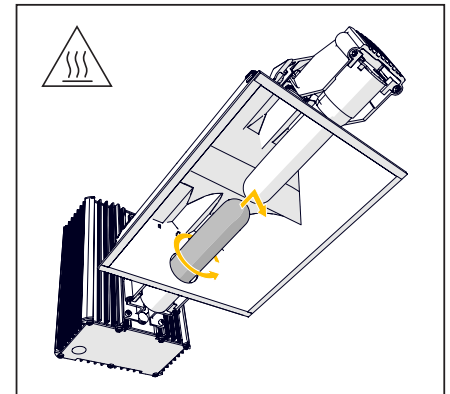
- ⚠ **Warning!** Disconnect the product from mains before performing any maintenance or repairs.
- ⚠ **Warning!** Do not open or disassemble the fixture, it contains no servicable parts inside. Opening the fixture can be dangerous and will void the warranty.
- ⚠ **Warning!** Always allow for a cool down period of at least 30 minutes before touching the lamp or reflector.
- ⚠ **Caution!** Do not clean the fixture with detergents, abrasives or other aggressive substances.
- ⚠ **Caution!** Do not touch the inside of the reflector during installation and do not use water, abrasives or detergents to clean it. This will damage the reflective surface.

- Regularly check the fixture for dust or dirt buildup. Clean if necessary. Contamination may cause overheating and decreased performance.
  - Clean the inside of the reflector only with a soft, dry cloth;
  - Clean the electronic ballast and the outside of the fixture using a dry or damp cloth.
- Check the lamp monthly for discolorations or black markings. Always replace a damaged lamp.
- ⚠ **Note:** Before initial use, the lamp could have black markings. This will disappear when the lamp runs on full power. If not, replace the lamp.
- Regularly check the wiring of the product to ensure it is undamaged.

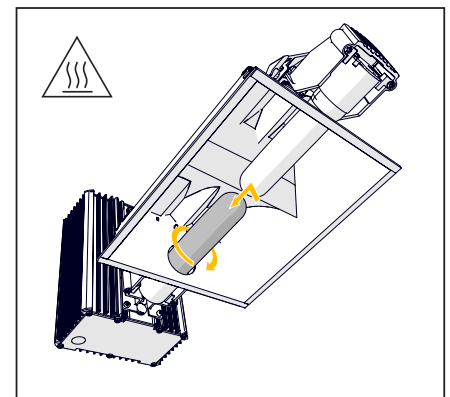
### 10.1 Placement and replacement of the lamp

- ⚠ **Warning!** Always allow for a cool down period of at least 30 minutes before touching the lamp or reflector.
- ⚠ **Caution!** Do not touch the lamp with bare hands as this will damage the lamp. Always use a fabric glove to handle the lamp.
- ⚠ **Caution!** Only use lamps specified by Gavita (see paragraph 3.3).
- ⚠ **Note:** The lamp must be replaced every year or after 5000 lighting hours, whichever one comes first.

- Switch off mains power.
- Use a fabric glove to carefully unscrew the lamp from the socket (11). Use a protective glove if the lamp is damaged.
- Use a fabric glove to carefully screw a new lamp into the socket (12).
- Switch on mains power.



11.



12.

## 10.2 Placement and replacement of the reflector

⚠ Warning! Always allow for a cool down period of at least 30 minutes before touching the lamp or reflector.

ⓘ **Note:** Gavita recommends replacing the reflector\* after 5000 lighting hours. Depending on the environment and contamination levels the reflector will degrade. The Vega/Miro™ aluminum can not be cleaned without damage. Therefore we recommend to change the reflector once every year. Also replace the lamp when replacing the reflector.

- Switch off mains power.
- Remove the lamp from the fixture (see paragraph 10.1).
- Support the reflector on the side of the reflector lever to prevent it from falling (13).
- Move the reflector lever up to retract the two pins holding the reflector in place (14).
- Remove the reflector (15).
- Place the new reflector. Ensure the reflector lever is in the opened position to allow the reflector to pass.
- Ensure the holes in the reflector are aligned with the pins in the fixture (16).
- Release the reflector lever so its two pins hold the reflector in place.
- Insert the lamp in the lamp holder (see paragraph 10.1).
- Switch on mains power.

## 11 Storage and disposal

- Store the fixture in a dry and clean environment, with an ambient temperature of  $-20 \sim 85$  °Celsius /  $-4 \sim 185$  °Fahrenheit.
- The product must not be discarded as unsorted municipal waste, but must be collected separately for the purpose of treatment, recovery and environmentally sound disposal.

⚠ **Caution!** The lamps are chemical hazardous waste and must be delivered to the designated authorities.

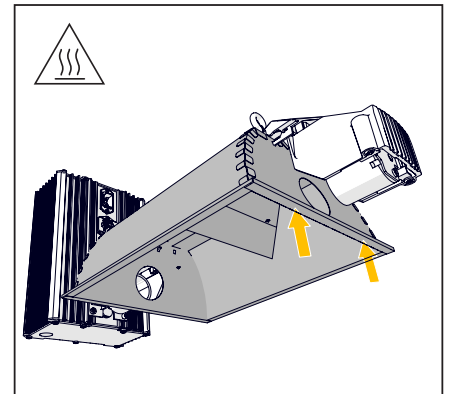
⚠ **Caution!** The lamp contains mercury.

## 12 Warranty service

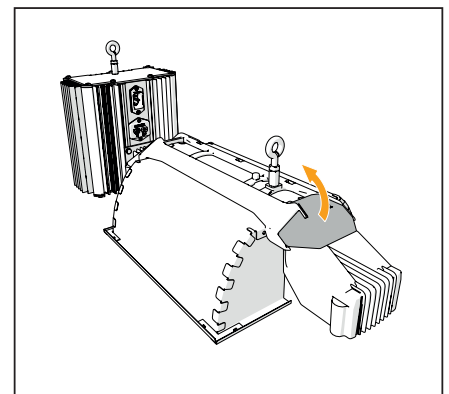
Gavita International bv warrants the mechanical and electronic components of their product to be free of defects in material and workmanship if used under normal operating conditions for a period of three (3) years from the original date of purchase. If the product shows any defects within this period and that defect is not due to user error or improper use Gavita International bv shall, at its discretion, either replace or repair the product using suitable new or reconditioned products or parts. For HPS lamps the warranty period is one (1) year from the original date of purchase. In case Gavita International bv decides to replace the entire product, this limited warranty shall apply to the replacement product for the remaining initial warranty period, i.e. three (3) years from the date of purchase of the original product. For service return the fixture to your shop with the original sales receipt.

## 13 Limited Warranty

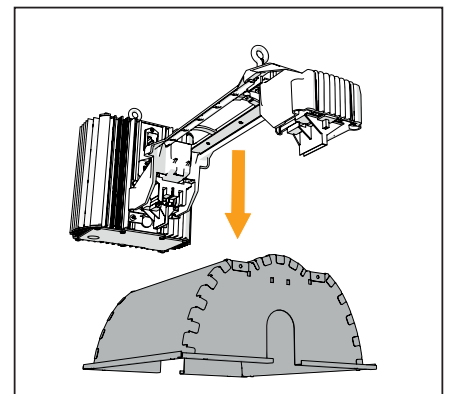
When purchased from an authorized Hawthorne dealer, this product is limited by a LIMITED WARRANTY, available at [hawthornegc.com/warranties](http://hawthornegc.com/warranties). You can also obtain the Terms of Sale and Limited Warranty by calling Hawthorne toll-free at: 1-888-478-6544 or writing Hawthorne at: Hawthorne Hydroponics LLC, 3204 NW 38 Circle, Vancouver, WA 98660., Att: Customer Service.



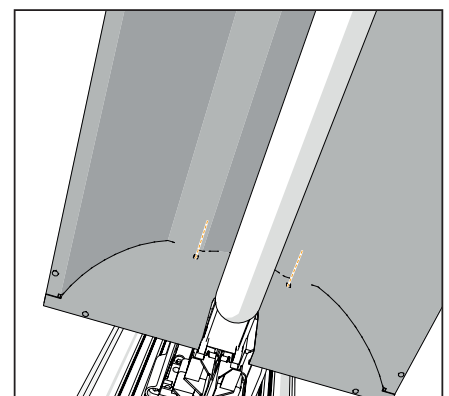
13.



14.



15.



16.





Manual: Gavita Pro 630° SE US 208-240 CMH  
Changes reserved - Version 19/33

**GAVITA International bv**  
Oosteinderweg 127  
1432 AH Aalsmeer  
The Netherlands

Tel : +31(0)297-380 450  
Fax : +31(0)297-380 451  
E : [info@gavita.com](mailto:info@gavita.com)  
W : [www.gavita.com](http://www.gavita.com)